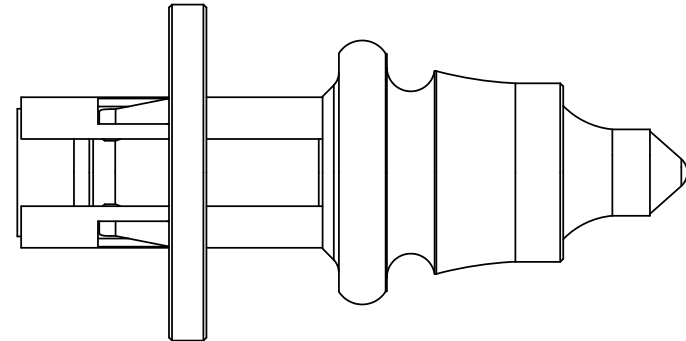
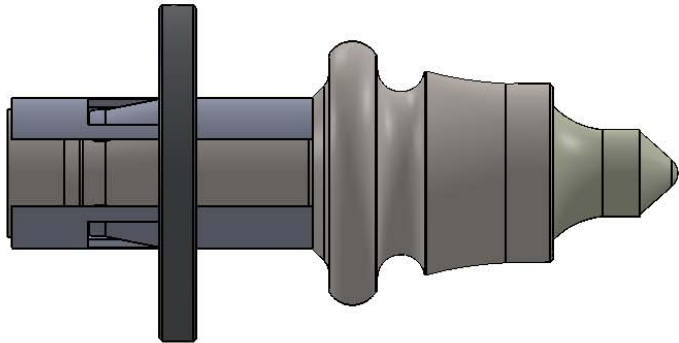


FULLY INSERTED INTO BORE OF HOLDER



PRIOR TO INSERTION

DO NOT SCALE DRAWING

THE SOLLAMI COMPANY
HERRIN, IL

DWG. NO.

76854P-046WW

76 SERIES MILLING BIT
WITH BORE COMPENSATING
WASHER