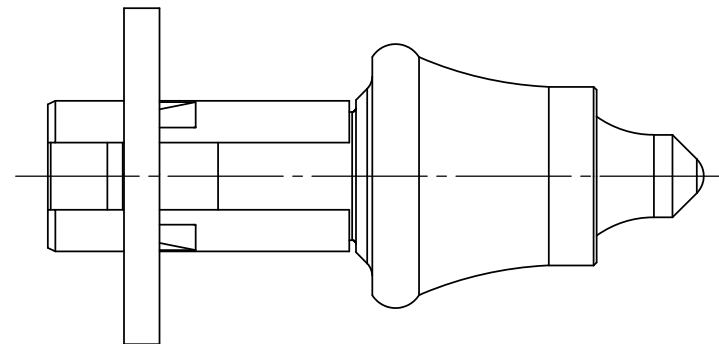
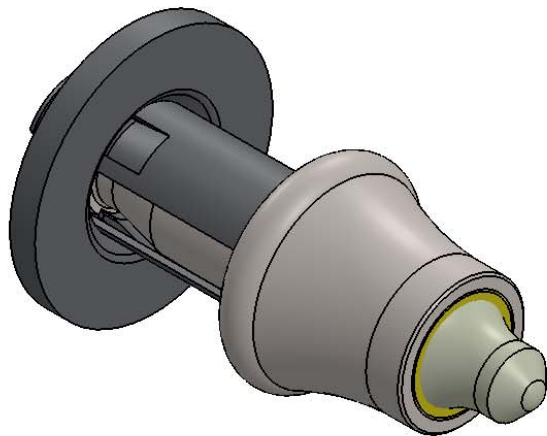


FULLY INSERTED INTO BORE OF HOLDER



PRIOR TO INSERTION

DO NOT SCALE DRAWING

**THE SOLLAMI COMPANY
HERRIN, IL**

DWG. NO.

76-873-046-2

76 SERIES MILLING BIT
WITH BORE WEAR COMPENSATION
WEAR WASHER