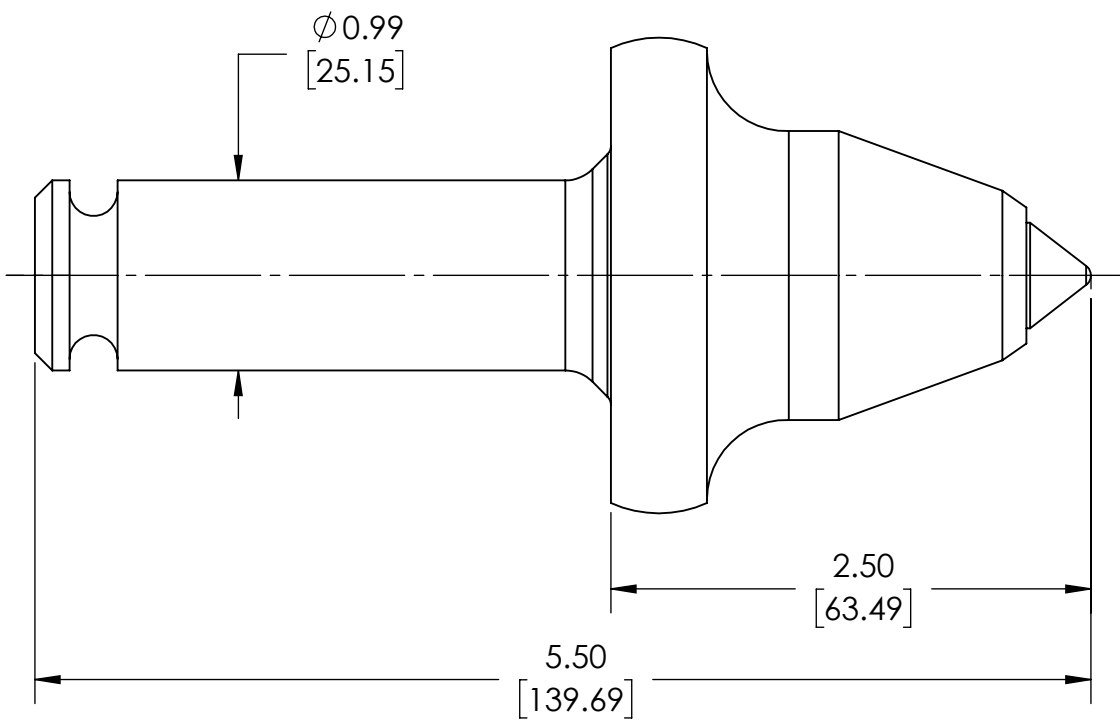
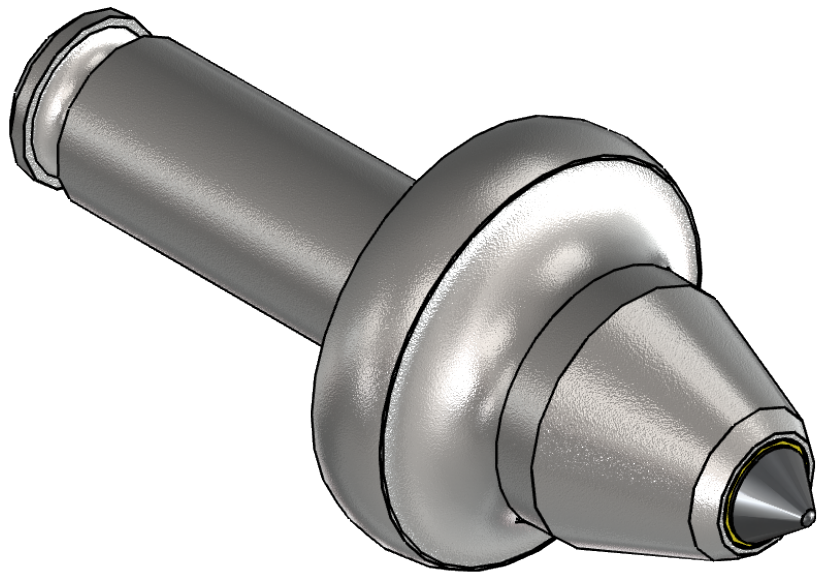


THIS DRAWING CONTAINS PROPRIETARY INFORMATION. IT IS THE PROPERTY OF THE SOLLAMI COMPANY. ALL DESIGN INFORMATION AND DIMENSIONAL DATA MUST BE KEPT CONFIDENTIAL.



DO NOT SCALE DRAWING

THE SOLLAMI COMPANY
HERRIN, IL

DWG. NO. 31135-024

Gage: 2 1/2"
Retainer Type: 024 LOCK WASHER
Tip Dia: $\text{Ø}0.55$ "
Tip Angle: 75°
Flange Dia: $\text{Ø}2\ 1/2$ "
Shank Diameter: $\text{Ø}0.99$ "
OAL: 5.55"
Bucket Qty: 10