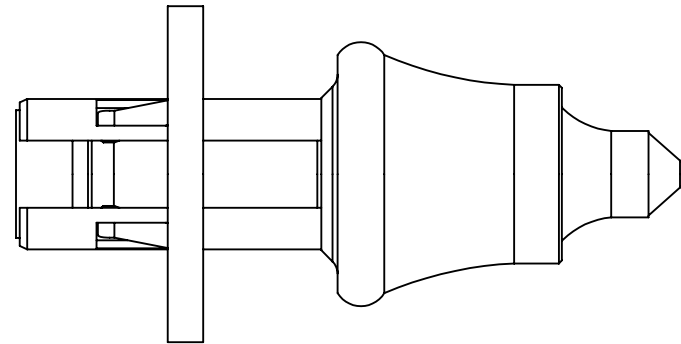
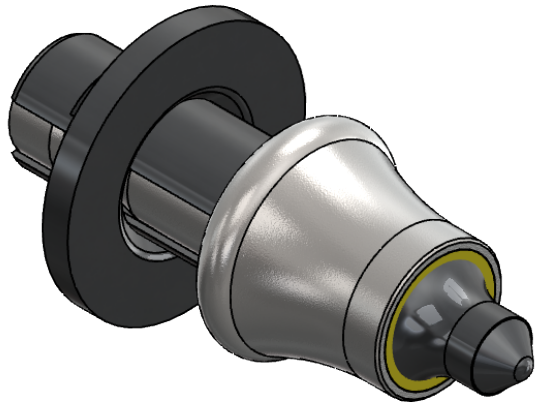


FULLY INSERTED INTO BORE OF HOLDER



PRIOR TO INSERTION

DO NOT SCALE DRAWING

THE SOLLAMI COMPANY  
HERRIN, IL

DWG. NO.

76854-048

76 SERIES MILLING BIT  
WITH BORE WEAR COMPENSATING  
WASHER