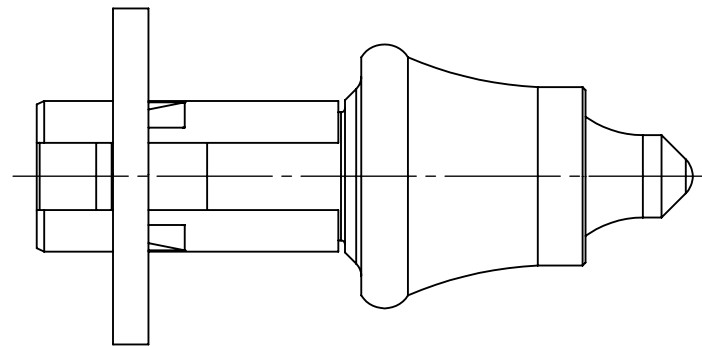
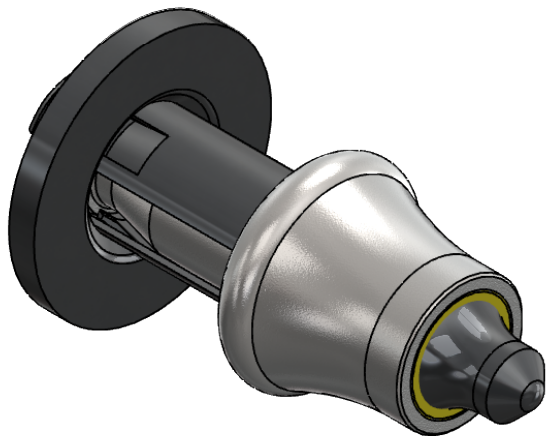


FULLY INSERTED INTO BORE OF HOLDER



PRIOR TO INSERTION

DO NOT SCALE DRAWING

THE SOLLAMI COMPANY
HERRIN, IL

DWG. NO.

76873-048

76 SERIES MILLING BIT
WITH BORE WEAR COMPENSATION
WEAR WASHER