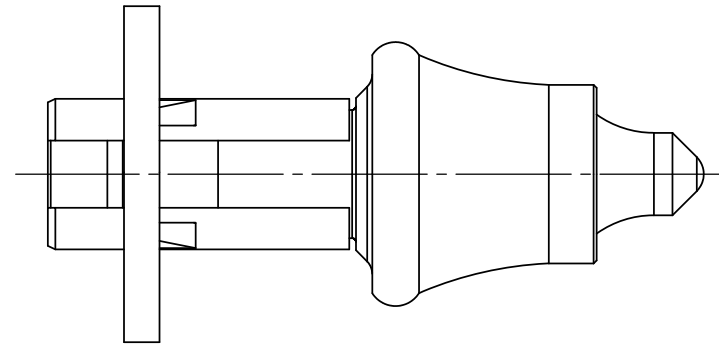
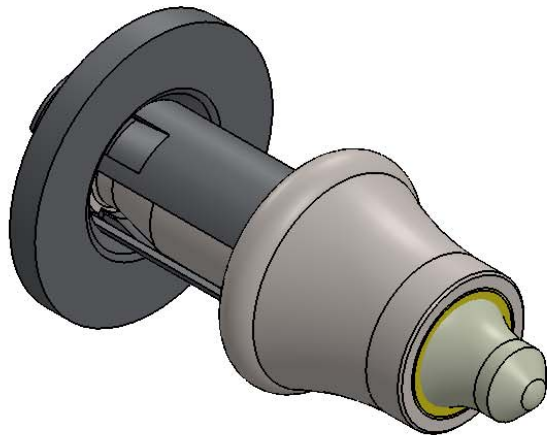


FULLY INSERTED INTO BORE OF HOLDER



PRIOR TO INSERTION

DO NOT SCALE DRAWING

**THE SOLLAMI COMPANY  
HERRIN, IL**

DWG. NO.

**76873-048**

76 SERIES MILLING BIT  
WITH BORE WEAR COMPENSATION  
WEAR WASHER