

DETAIL A
SCALE 5 : 1

5/8-18 THD.

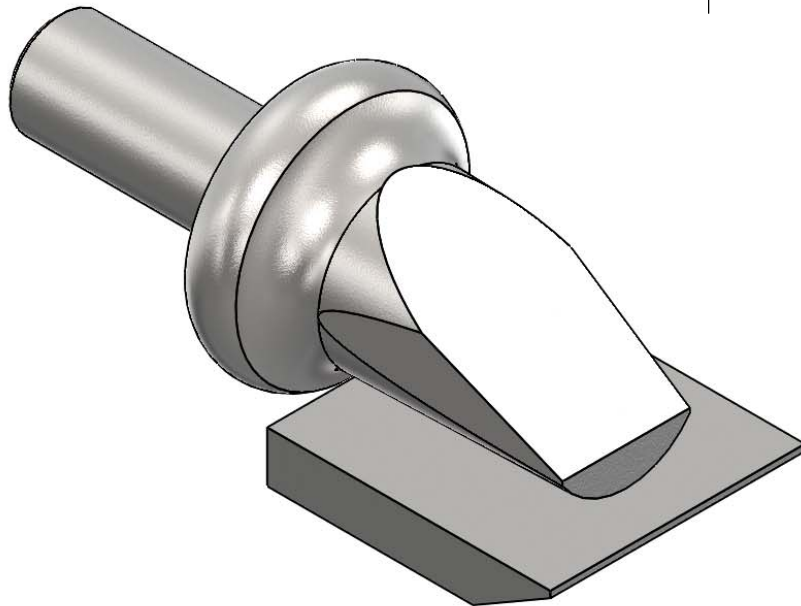
$\phi 2 \frac{1}{2}$ "

$\phi 1.00$

A

3.0

5.42



DO NOT SCALE DRAWING

THE SOLLAMI COMPANY
HERRIN, IL

DWG. NO.

31DT601-THD-M

DIRT TOOTH